

# #01 POLYRACKTECH-GROUP SEQUENCE

// Product information



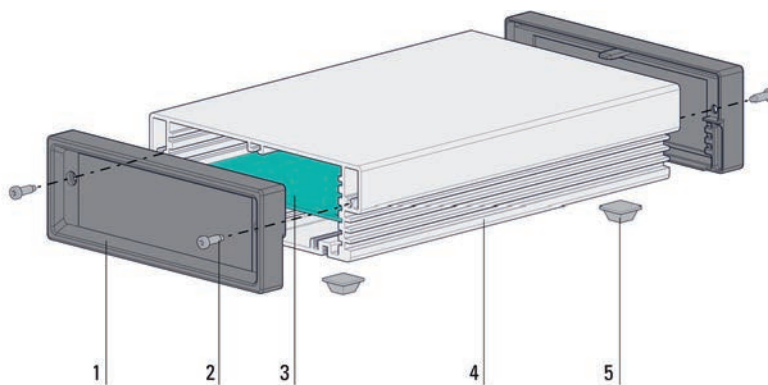
# //02 SMALL EQUIPMENT CASES

## Sequence

// Product information

### Configuration examples

The diagram shows the configuration of a Sequence Series extruded case with closed front/rear bezel.



- 1 Front/rear bezel, closed
- 2 Assembly hardware
- 3 Printed circuit board\*
- 4 Extruded case
- 5 Adhesive foot

Parts marked with \* are not included in the scope of delivery of the basic unit, i. e. must be ordered separately.

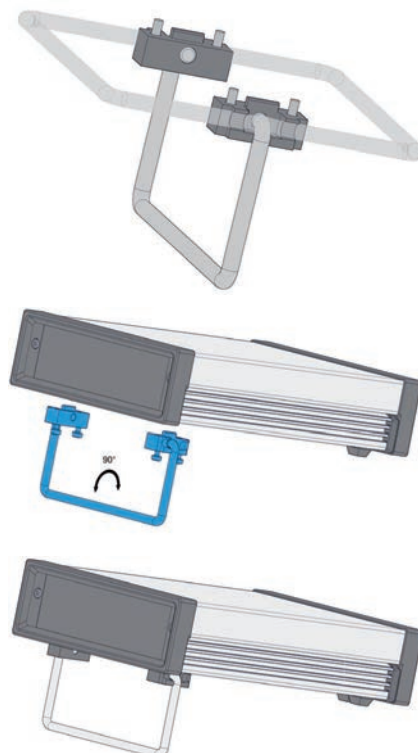
### Carrying/support handle – Sequence

For mobile use, can be mounted at a later point in time

#### Material

Handle, steel, nickel-plated  
Handle reception ABS RAL 7001

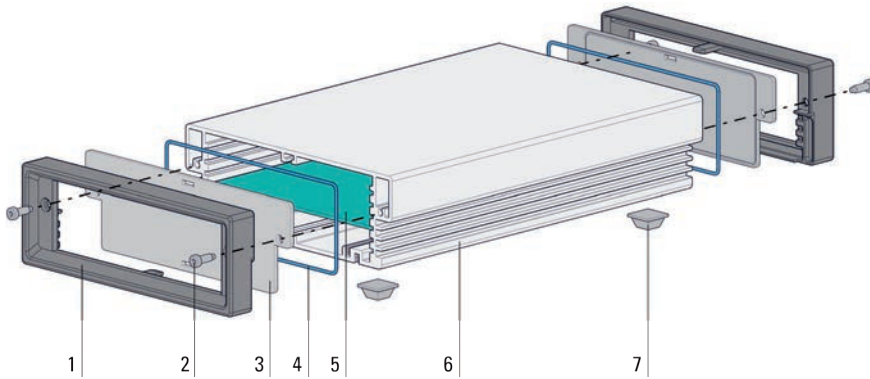
Fire-resistance rating  
ABS: UL 94 V0



# //02 SMALL EQUIPMENT CASES

## Sequence

### // Product information



The diagram shows the configuration of a Sequence Series extruded case with open front/rear bezel.

- 1 Front/rear bezel, open
- 2 Assembly hardware
- 3 Front/rear panel with groove\*
- 4 Cord gasket ø 1 mm
- 5 Printed circuit board\*
- 6 Extruded case
- 7 Adhesive foot

Parts marked with \* are not included in the scope of delivery of the basic unit, i. e. must be ordered separately.

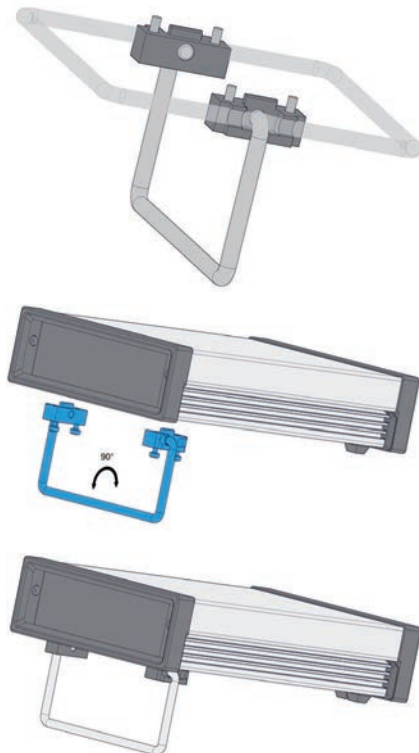
### Carrying/support handle – Sequence

For mobile use, can be mounted at a later point in time

#### Material

Handle, steel, nickel-plated  
Handle reception ABS RAL 7001

Fire-resistance rating  
ABS: UL 94 V0



### // Notes on units of measurement and mounting/overall dimensions

#### Inner dimensions

– For mounting standard or double Eurocards

#### Unit of height U

Measurement unit for height in 19" rack systems

1 U = 44.45 mm

#### Dimensions specified in ordering tables

The dimensions, especially those given in U, are specified in relation to the application:

Height H = (n (U) x 44.45 mm) - 0.8 mm

# //02 SMALL EQUIPMENT CASES

# Sequence

// Basic units

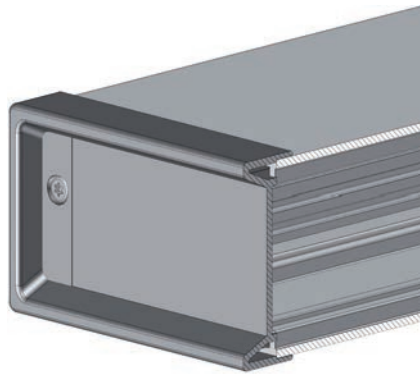
## Basic units

The Sequence series cases are available in two basic versions.

The „front/rear bezel open“ version can be equipped with various different front/rear panels, which also determine the degree of shielding and IP protection.

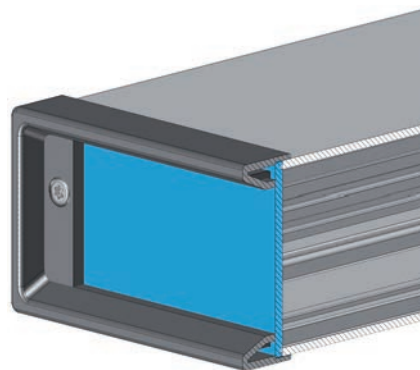
## Features of the basic units

Front/rear bezel closed



Front/rear bezel open

„Front/rear panels – Sequence“ are not included in the scope of delivery of the basic units.

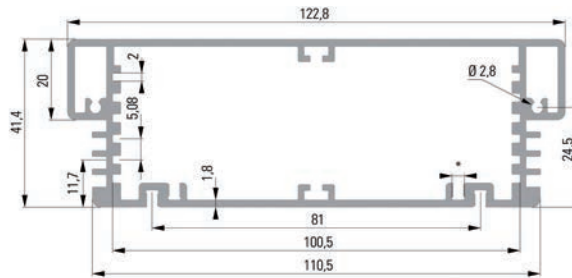


# //02 SMALL EQUIPMENT CASES

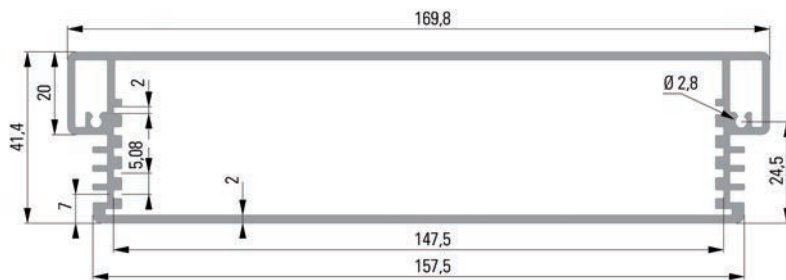
## Sequence

// Product information

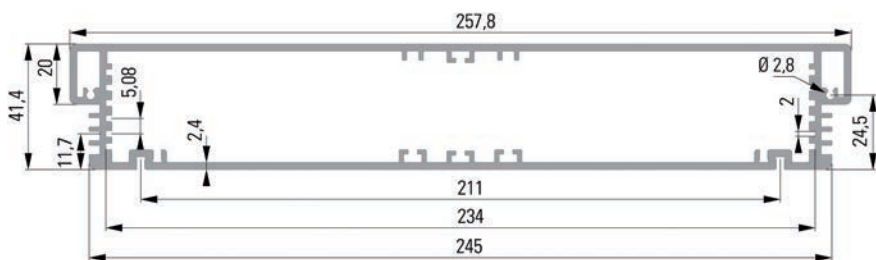
Dimension diagrams



Extruded case H = 1 U / W1 = 125 mm



Extruded case H = 1 U / W1 = 172 mm

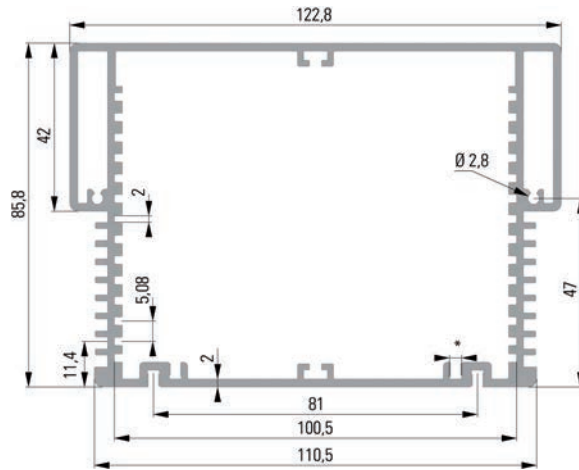


Extruded case H = 1 U / W1 = 260 mm

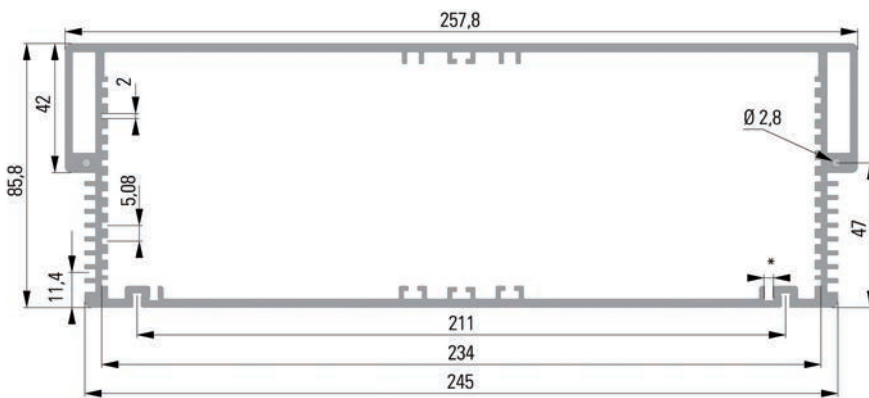
# //02 SMALL EQUIPMENT CASES

## Sequence

// Product information



Extruded case H = 2 U / W1 = 125 mm



Extruded case H = 2 U / W1 = 260 mm

### // Manufacturing tolerances

All parts are subject to POLYRACK's factory specifications, whereby:

Extrusion specifications comply with  
DIN EN 12020-1

Punched parts comply with  
DIN ISO 6930-1/6930-2 and DIN 6932

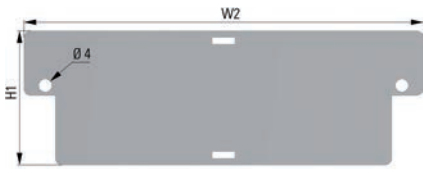
Plastic parts comply with  
DIN ISO 16901-130

# //02 SMALL EQUIPMENT CASES

# Sequence

## // Single components

### Front/rear panels, center rails

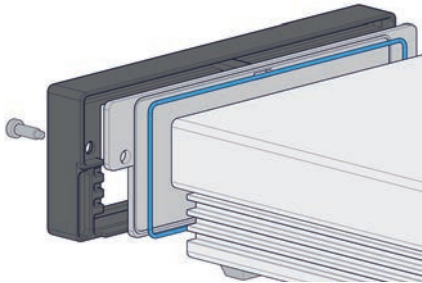


### Front/rear panels – Sequence

As front/rear cover for use with open front/rear bezel

#### Material

Aluminum 2 mm  
See ordering table



\* Diagram: Front/rear panel with groove

#### Dimensions

H	H1 in mm	W1 in mm	W2 in mm
1 U	41.1	125	122
1 U	41.1	172	169
1 U	41.1	260	257
2 U	85.5	125	122
2 U	85.5	260	257