

#01 POLYRACKTECH-GROUP

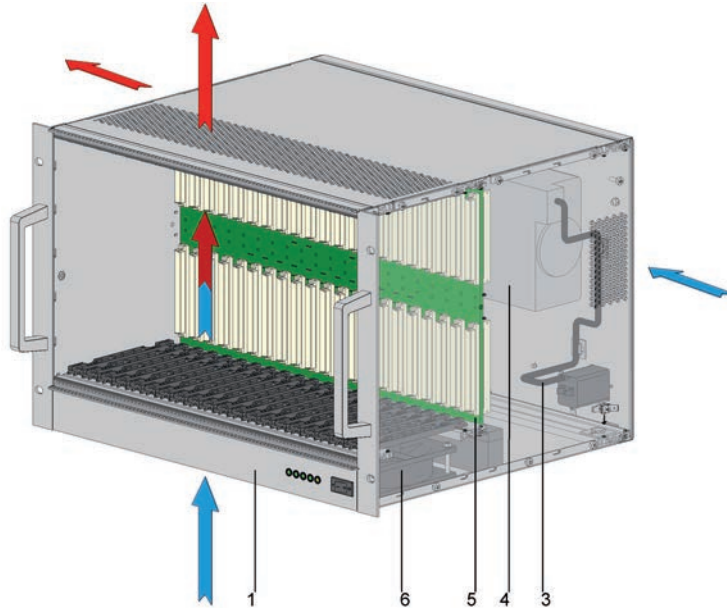
MPS01

// Product Information



//02 SYSTEME MPS01

// Product Information



Configuration example

The diagram shows a typical MPS01-7 configuration

1. Mechanical parts
2. System manager
3. Wiring
4. Power supplies
5. Backplanes
6. Fans

Surface finishing

- Alodined
- Front panels = front anodized / rear alodined

Technical specifications of system components

Power supplies

Model	Power	Construction	U_{IN}	V1/Imax	V2/Imax	V3/Imax	V4/Imax	V5/Imax	Accreditation
PSU-OF-600-1	600 watts	Open frame	84-264VAC/50Hz	+5V/120A	+12V/10A	-12V/4A	-	-	CE, CSA, UL, VDE

Backplane

Model	Slots	Standards	Bus width	Termination	Daisy chain	P0	System slot	Rear-I/O
VME-J1/J2, 21 slot, IBT, ADC	21	ANSI/VITA 1-1994	32 bit	Inboard	ADC	-	-	-
CPCI-3U, 4 slot, 64 bit, SR	4	PICMG 2.0R3.0	64 bit	-	-	-	right	-

Fans

Model	Dimensions	Airflow rate	Noise	Note
DC/axial	119x119x32mm	100m ³	42dB(A)	MPS01-4
DC/axial	119x119x32mm	140m ³	45dB(A)	MPS01-7

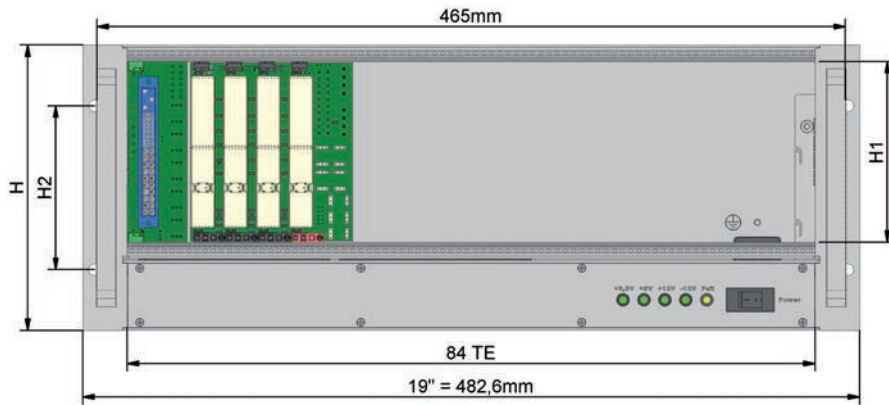
System monitor

Model	Monitoring function			Signaling		Standards	Note
	Speed	Operating voltage	Temperature	Optical	Logical (potential-free contact)		
FM2	•	-	-	•	•	-	
SM2	•	+4.75 +11.4 -11.4 3,135	-5.25 -12.6 -12.6 -3,456	•	•	SYS and POWER-FAIL/ SYS-RESET VITA-compliant	Parameterizable and optional RS232 interface *

* Further technical details on request

//02 SYSTEME MPS01

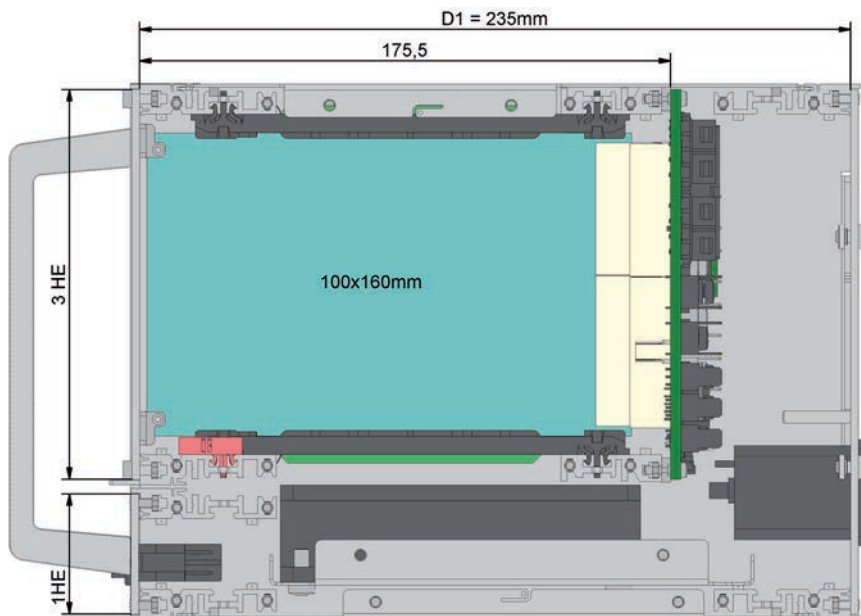
// Product Information



Dimension diagrams

MPS01-4 Front view

Threads in card cage for mounting
plug-in modules, etc. = M2.5 / 5.08 mm
increments

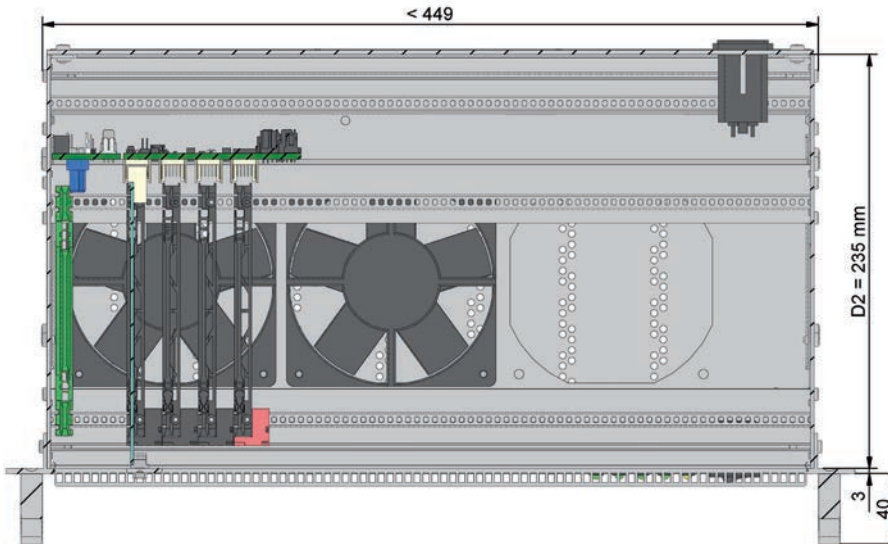


MPS01-4 side view

D1 = internal dimension

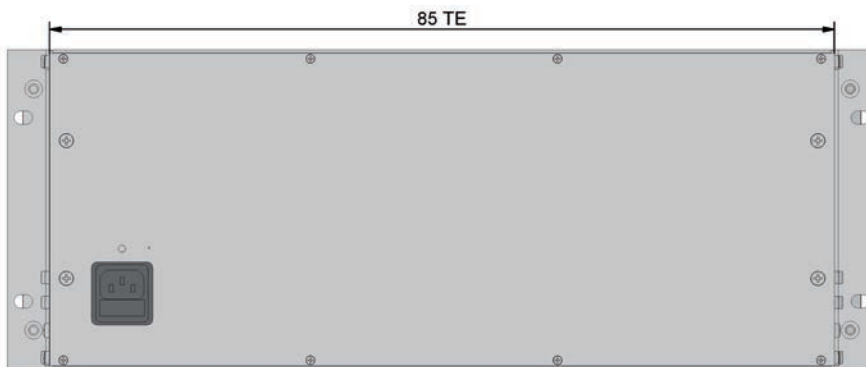
//02 SYSTEME MPS01

// Product Information



MPS01-4 Top view

D2 = mounting depth in 19" rack (without allowance for power components etc.)

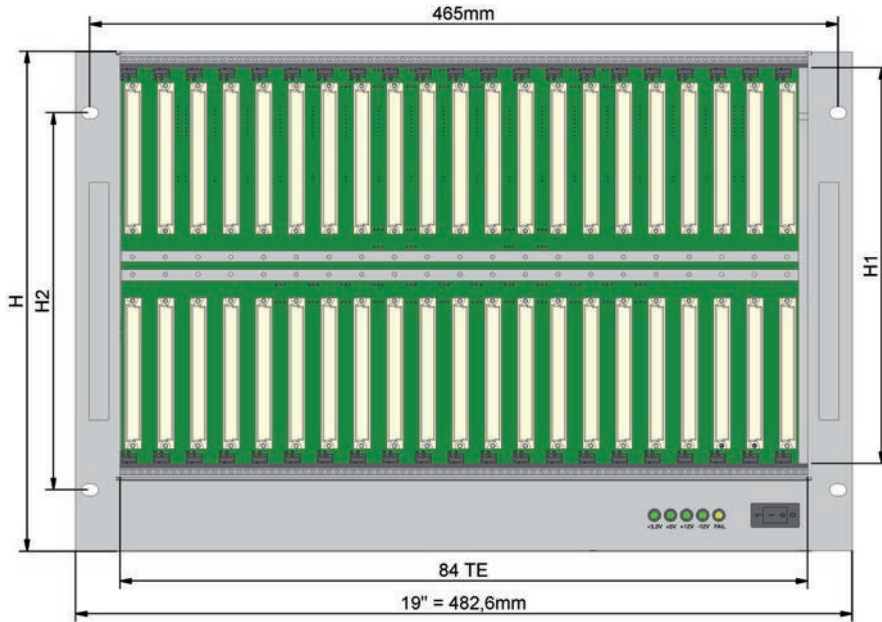


MPS01-4 Rear view

Threads in card cage for mounting plug-in modules, etc. = M2.5 / 5.08 mm increments

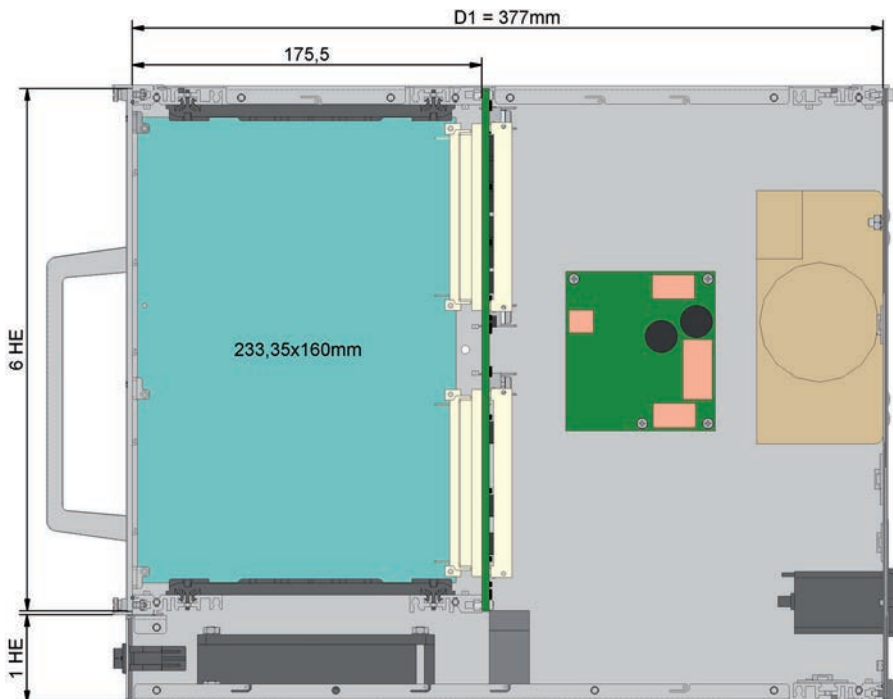
//02 SYSTEME MPS01

// Product Information



MPS01-7 Front view

Threads in card cage for mounting plug-in modules, etc. = M2.5 / 5.08 mm increments

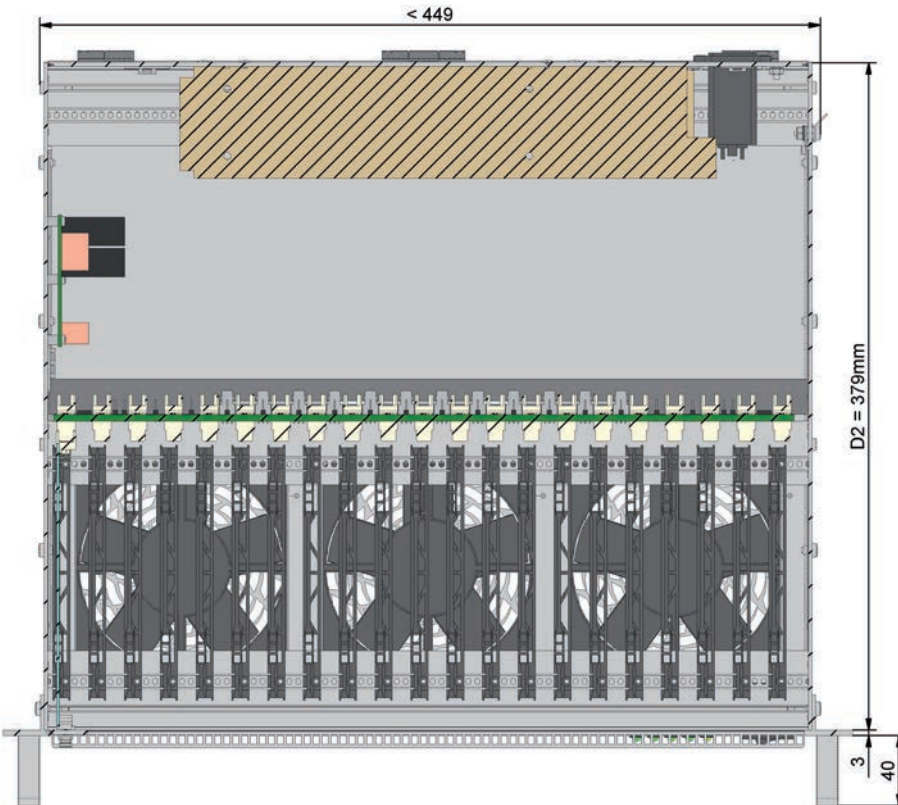


MPS01-7 Side view

D1 = internal dimension

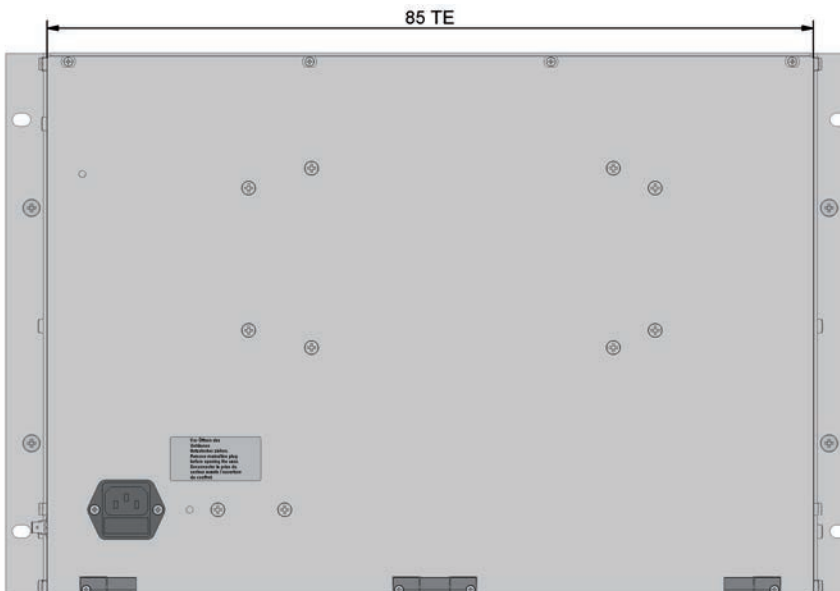
//02 SYSTEME MPS01

// Product Information



MPS01-7 Top view

D2 = mounting depth in 19" rack (without allowance for power components etc.)



MPS01-7 Rear view

Threads in card cage for mounting plug-in modules etc. = M2.5 / 5.08 mm increments

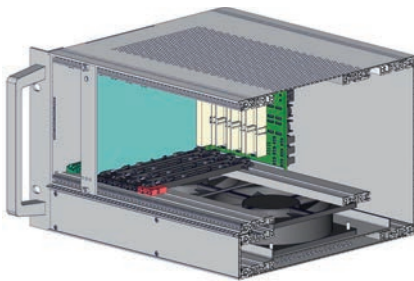
//02 SYSTEME MPS01

// Basic Units

Basic units

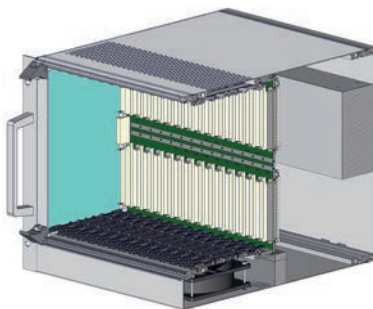
The basic units of the MPS01 system platform are based on our subrack series "Future" and vary in height and configuration.

Features of the basic units



MPS01-4

Basic unit MPS01-4 is suitable for configuration with boards in Eurocard format (100x160 mm).

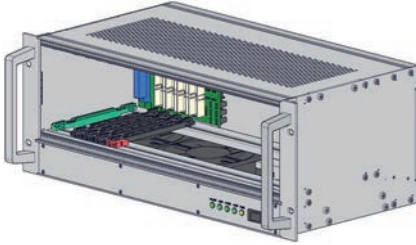


MPS01-7

Basic unit MPS01-7 is suitable for configuration with boards in double Eurocard format (233.35x160 mm).

//02 SYSTEME MPS01

// Basic Units



MPS01-4

Scope of delivery

Mechanical parts
Backplanes
System monitor (SM2)
Power adapter
Fans
Wiring
LED display
IEC line filter module
ON/OFF switch

Delivery form

1 pc Fully assembled and functionality and safety tested
1 pc
1 pc

Note

1 pcs – Individually configurable with e.g. other backplanes, power supplies, etc.
1 pc – Power supply must be ordered separately (see chapter "Accessories / 19" power supplies")
1 pc
1 pc



MPS01-7

Scope of delivery

Mechanical parts
Backplanes
Power supply
System monitor (SM2)
Fans
Wiring
LED display
IEC line filter module
ON/OFF switch

Delivery form

1 pc Fully assembled and functionality and safety tested
1 pc
1 pc

Note

1 pc – Individually configurable with e.g. other backplanes, power supplies, etc.
3 pcs
1 pc
1 pc
1 pc
1 pc