

# #01

POLYRACKTECH-GROUP

# CASSETTES

// Product information

---



# //02 PLUG-IN MODULES CASSETTES

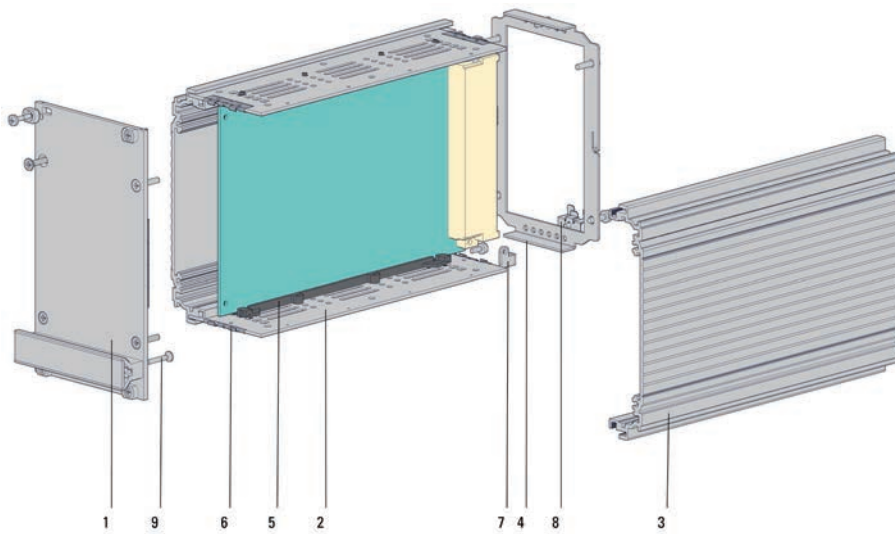
// Product information

## Product information

Cassettes are used to mount one or more PCBs. They thus form a self-contained functional unit. The cassettes guarantee optimum PCB protection in subracks and cases.

## Configuration example

The diagram shows the typical configuration of a cassette using an RFI cassette as an example.



- 1 Front panel with handle\*
- 2 Cover plate
- 3 Side extrusion
- 4 Rear panel
- 5 Card guide for cover plate\*
- 6 EMC spring\*
- 7 Mounting bracket for male connector\*
- 8 Mounting bracket for female connector\*
- 9 Assembly hardware\*

Parts marked with \* are not included in the scope of delivery of the basic unit, i.e. must be ordered separately.

## // Notes on standards, units of measurement and mounting / overall dimensions

### Inner and outer dimensions

- IEC 60297-3-101
- IEC 60297-3-102
- IEC 60297-3-103
- IEEE 1101.11

### Unit of height U

Measurement unit for height in 19" rack systems  
1 U = 44.45 mm

### Increment unit HP

Measurement unit for width in 19" rack systems  
1 HP = 5.08 mm

### Dimensions specified in ordering tables

The dimensions, in particular those given in U and HP, are specified in relation to the application:

Height  $H = (n \text{ (U)} \times 44.45 \text{ mm}) - 4.8 \text{ mm}$

Usable width  $W = (n \text{ (HP)} \times 5.08 \text{ mm}) - 0.3 \text{ mm}$

The depth  $D$  (in mm) indicates the total depth of the case without handles, connectors, etc.

# //02 PLUG-IN MODULES CASSETTES

// Basic units

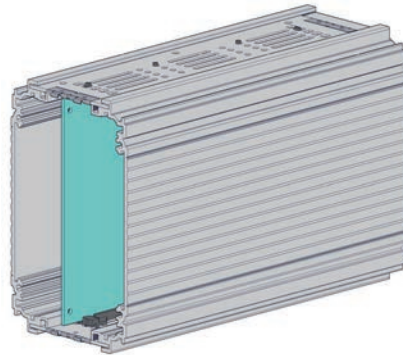
## Basic units

Cassettes are suitable for all products with 19" mounting dimensions. There are 2 basic units which differ with respect to their shielding capabilities.

## Features of the basic units

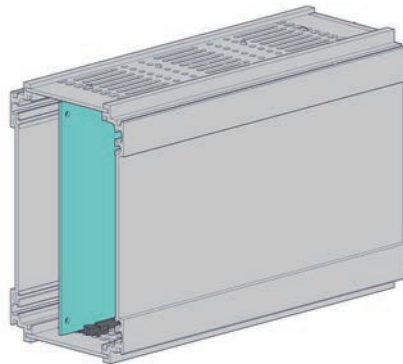
### Cassette, RFI

For highest shielding requirements



### Cassette, shielded

For standard shielding requirements

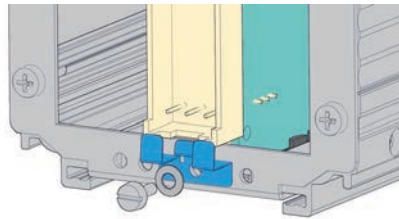


# //02 PLUG-IN MODULES CASSETTES

// Mounting bracket for female connector

## Mounting bracket for female connector

Female connector mounting brackets are used to secure the connectors to the rear panel of the cassette.



## Mounting bracket for female connector

### Material

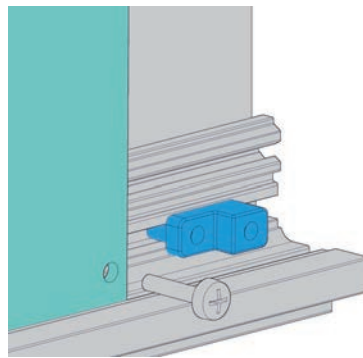
Sheet steel 1.4016

# //02 PLUG-IN MODULES CASSETTES

// Board holders

## Board holders

The board holder is used to mount PCBs on the side extrusion.

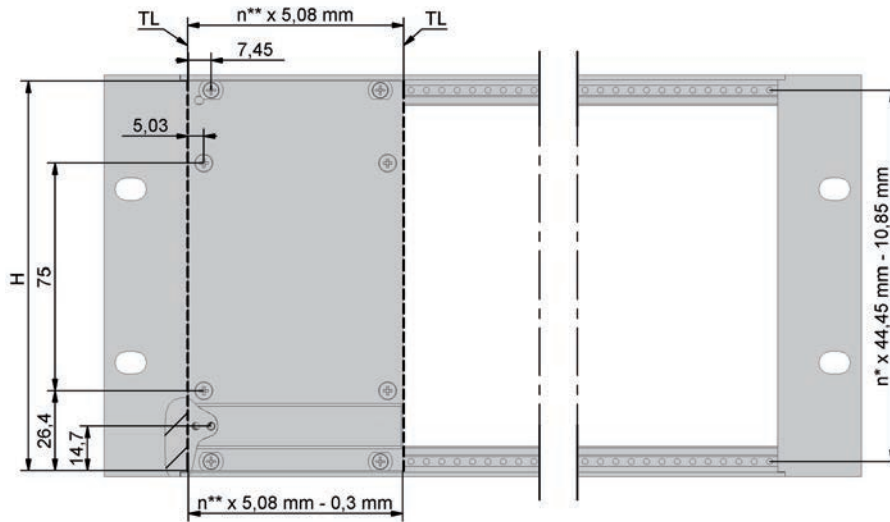


## Board holder – Plug-in modules

**Material**  
Zinc die-cast

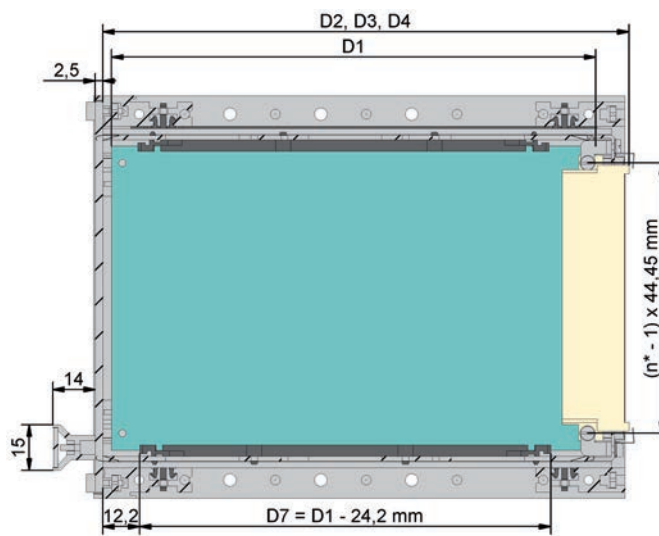
# //02 PLUG-IN MODULES CASSETTES

// Product information



Dimension diagrams

Front view, cassette, RFI

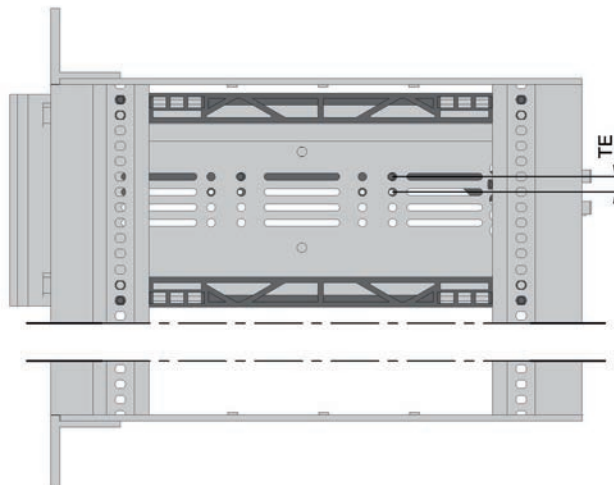


Side view, cassette, RFI

$D$  = overall depth

$D1$  = usable internal dimension

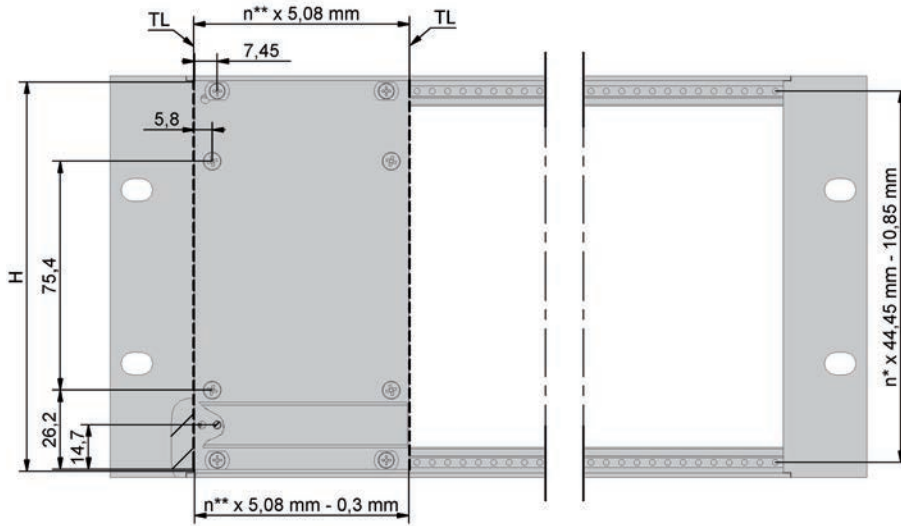
$D2$  = mounting depth in 19" rack



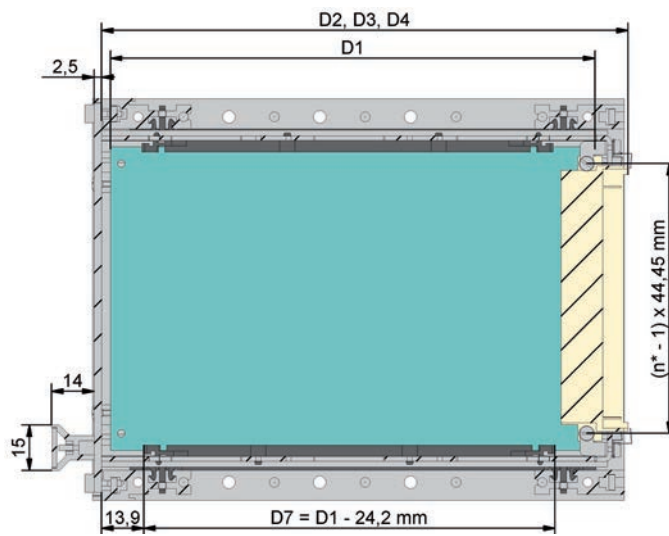
Top view, cassette, RFI

# //02 PLUG-IN MODULES CASSETTES

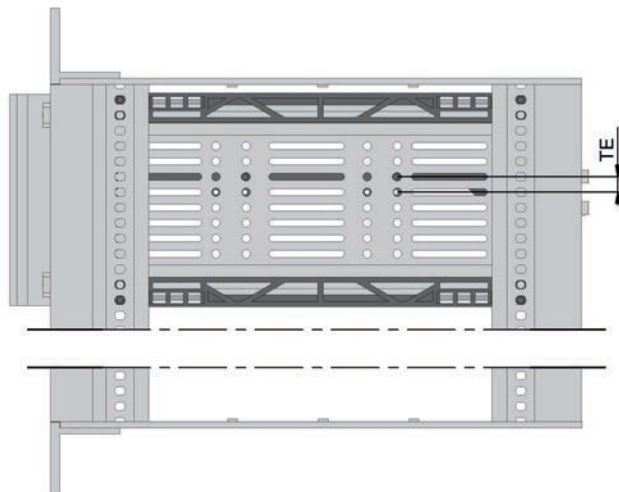
// Product information



Front view, cassette, shielded



Side view, cassette, shielded



Top view, cassette, shielded