

#01 POLYRACKTECH-GROUP

CasTEC

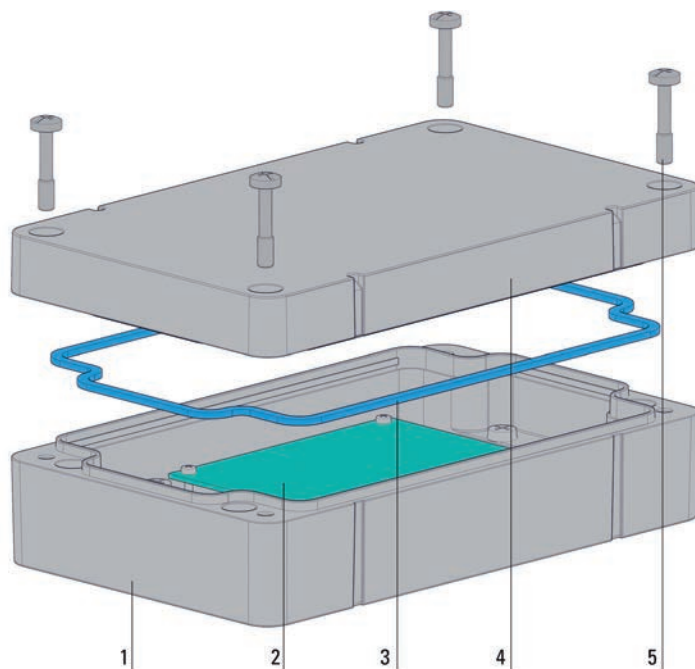
// Product information



//02 SMALL EQUIPMENT CASES

CasTEC

// Product information

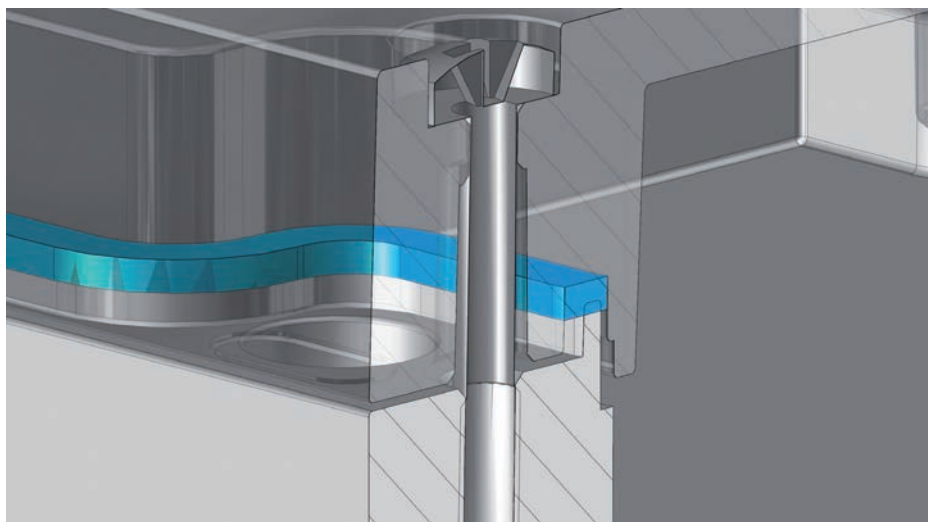


Configuration example

The diagram shows the configuration of a CasTEC Series die-cast case.

- 1 Bottom cover
- 2 Printed circuit board*
- 3 IP gasket
- 4 Top cover
- 5 Assembly hardware

Parts marked with * are not included in the scope of delivery of the basic unit.



The gasket required for IP65 compliance is positioned in the top cover, recessed.

Surface finishing

- Case covers made of die-cast aluminum, powder-coated “anthracite-metallic”
- Molded gasket made of EPDM, 50 Shore

// Notes on mounting/overall dimensions

Dimensions specified in ordering tables

The dimensions are specified in relation to the application.

//02 SMALL EQUIPMENT CASES

CasTEC

// Basic units

Basic unit

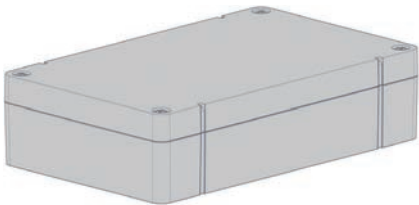
In the CasTEC Series there is one basic unit available.

Features of the basic unit

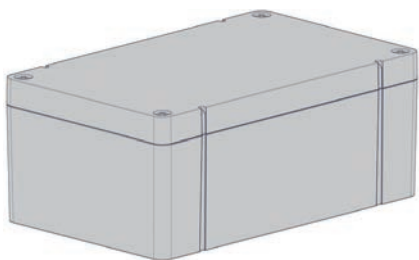
The CasTEC Series cases are available in 3 sizes.



55 x 200 x 120 mm



65 x 260 x 160 mm



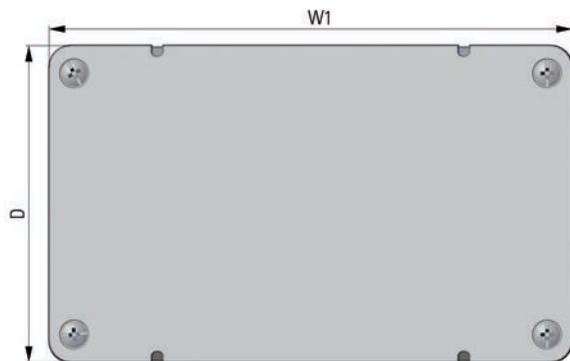
105 x 260 x 160 mm

//02 SMALL EQUIPMENT CASES

CasTEC

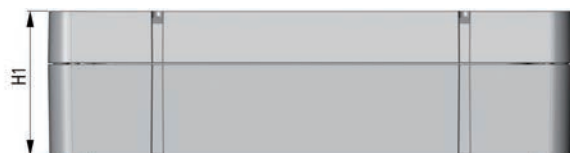
// Product information

Dimension diagrams

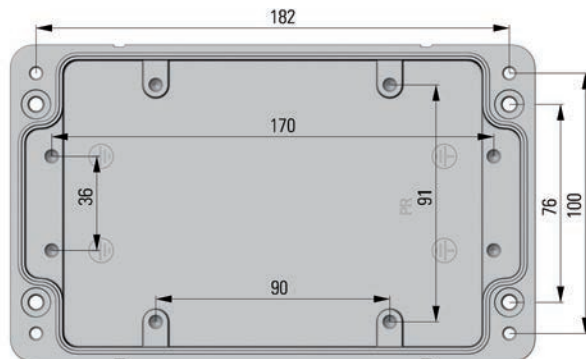


Front view

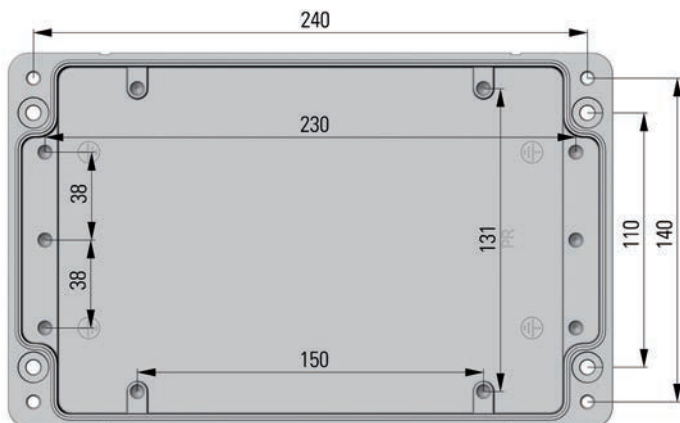
W1= total width
H1 = total height



Side view



Interior view (W1 = 200 mm)
All threads M5



Interior view (W1 = 260 mm)
All threads M6

// Manufacturing tolerances

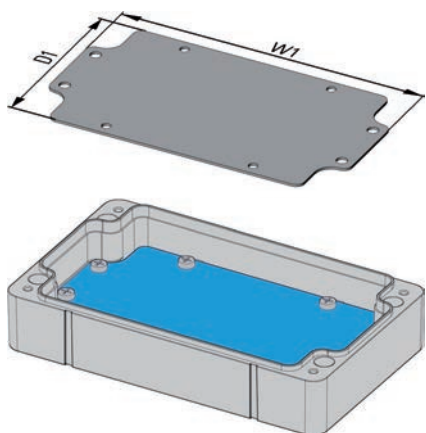
All parts are subject to POLYRACK's factory specifications, whereby:
Die-cast parts comply with DIN 1688-4

//02 SMALL EQUIPMENT CASES

CasTEC

// Product information

Chassis plate, wall-mounting kit



Chassis plate – CasTEC

For mounting custom electronics

Material

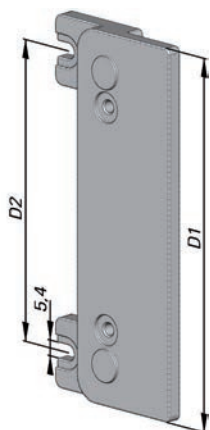
Sheet steel, hot-dip galvanized 1.5 mm

Note

- The assembly kit for cases where W1 = 200 mm includes:
Cylinder head screws M5 x 8 mm
- W1 = 260 mm:
Cylinder head screws M6 x 8 mm

Dimension

W1 in mm	W2 in mm	D in mm	D1 in mm
200	185	120	105
260	245	160	145



Wall mounting kit – CasTEC

For mounting to custom wall-mount plate or for wall mounting

Material

Die-cast aluminum, powder-coated “anthracite metallic”

Note

- The assembly kit for cases where D1 = 120 mm includes:
Pan head screws M5 x 30 mm
- D1 = 160 mm:
Pan head screws M6 x 30 mm

Dimension

For D in mm	D1 in mm	D2 in mm
120	128	103
160	168	143

