

#01

POLYRACKTECH-GROUP

SmarTEC

// Product information



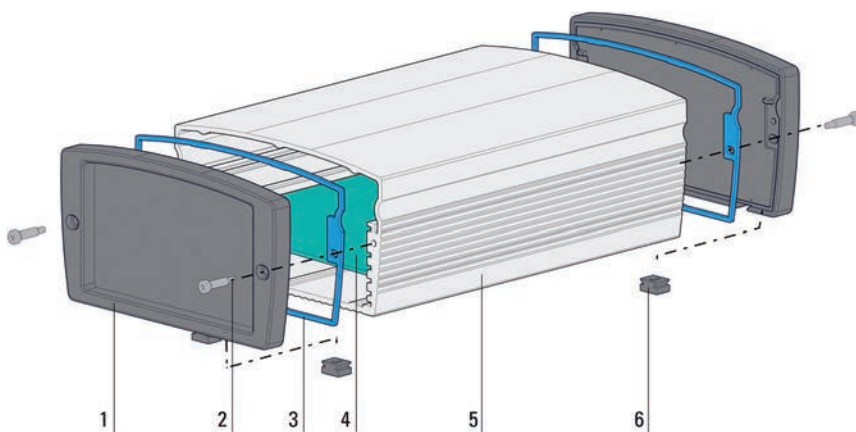
//02 SMALL EQUIPMENT CASES

SmarTEC

// Product information

Configuration examples

The diagram shows the configuration of a SmarTEC Series one-piece extruded case.



- 1 Front/rear bezel, closed
- 2 Assembly hardware
- 3 IP molded gasket
- 4 Printed circuit board*
- 5 Extruded case, one piece
- 6 Foot for insertion

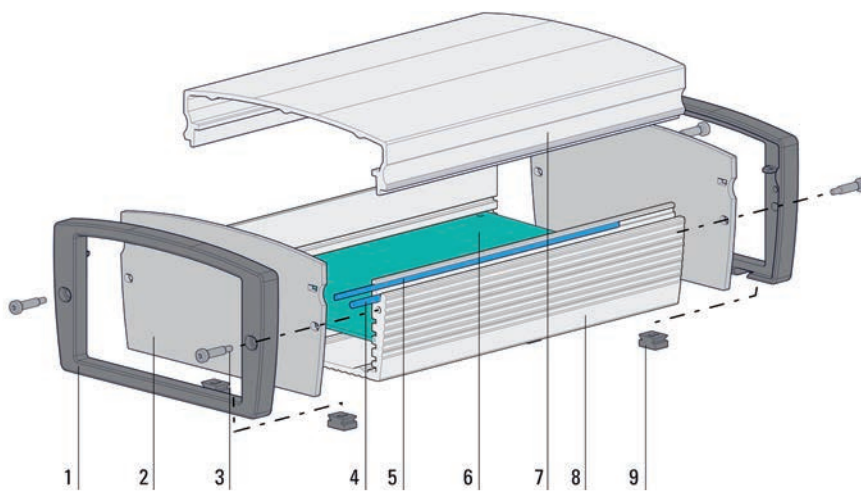
Parts marked with * are not included in the scope of delivery of the basic unit, i. e. must be ordered separately.

//02 SMALL EQUIPMENT CASES

SmarTEC

// Product information

The diagram shows the configuration of a SmarTEC Series two-piece extruded case.



- 1 Front/rear bezel, open
- 2 Front/rear panel
- 3 Assembly hardware
- 4 IP cord gasket \varnothing 2.5 mm
- 5 EMC shielding D, 1.5 x 2 mm
- 6 Printed circuit board*
- 7 Extruded case, top
- 8 Extruded case, bottom
- 9 Foot for insertion

Parts marked with * are not included in the scope of delivery of the basic unit, i. e. must be ordered separately.

//02 SMALL EQUIPMENT CASES

SmarTEC

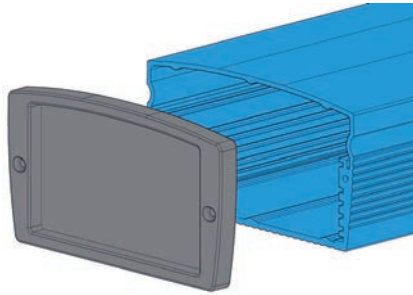
// Basic units

Basic units

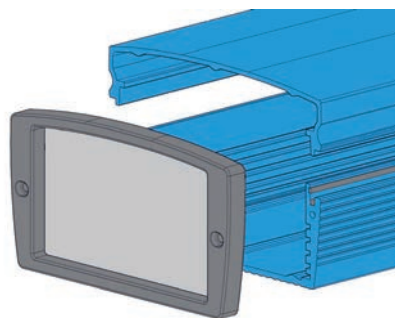
The SmarTEC Series cases are available in two basic versions. In the "two-piece extruded case" version, the front/rear bezels are open and the front/rear panels are separate. However, the combination with front/rear bezel open or closed is basically possible for both versions. For this and for other dimensions, customized configuration is available.

Features of the basic units

Extruded case, one piece



Extruded case, two-piece

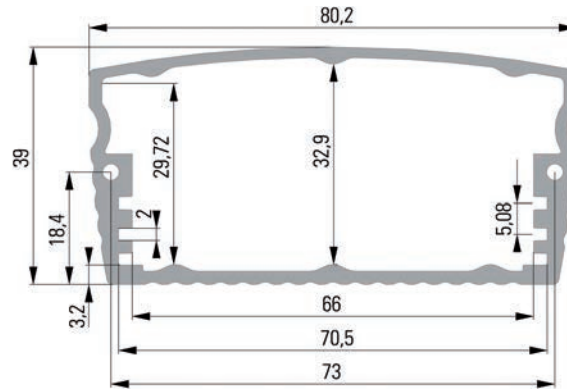


//02 SMALL EQUIPMENT CASES

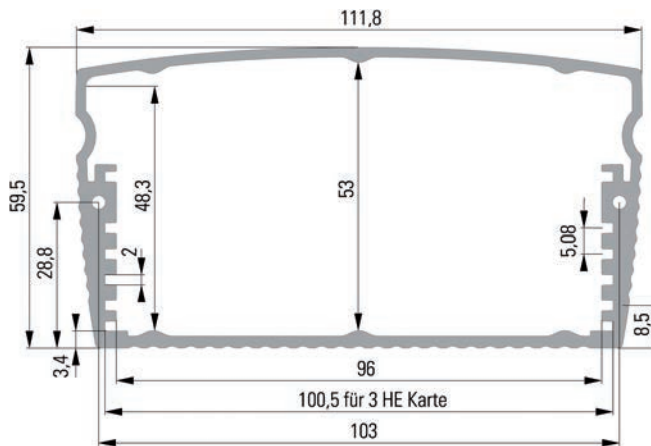
SmarTEC

// Product information

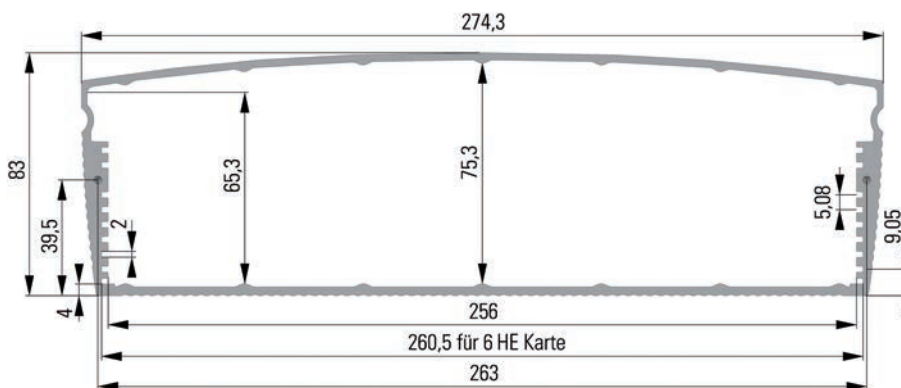
Dimension diagrams



Extruded case H1 = 45 mm / W1 = 85 mm



Extruded case H1 = 65 mm / W1 = 115 mm



Extruded case H1 = 85 mm / W1 = 275 mm

// Manufacturing tolerances

All parts are subject to POLYRACK's factory specifications, whereby:

Extrusion specifications comply with
DIN EN 12020-1

Punched parts comply with
DIN ISO 6930-1/6930-2 and DIN 6932

Die-cast parts comply with DIN 1688-4

//02 SMALL EQUIPMENT CASES

SmarTEC

// Single components



Extruded case, one-piece – SmarTEC

Material

Aluminum extrusion, anodized/cutting edges raw

$D1 = D - 18 \text{ mm}$

Dimensions

H1 in mm	W1 in mm
45	85
45	115
65	115
65	175
85	175
85	275



Extruded case, top cover – SmarTEC

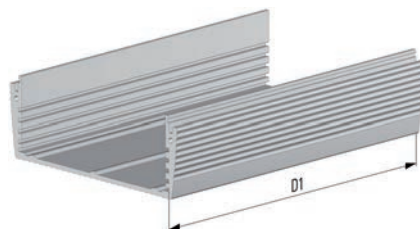
Material

Aluminum extrusion anodized/cutting edges and surfaces for „EMC shielding fabric“ raw

$D1 = D - 18 \text{ mm}$

Dimensions

H1 in mm	W1 in mm
65	115
65	175
85	275



Extruded case, bottom – SmarTEC

Material

Aluminum extrusion anodized/cutting edges and surfaces for „EMC shielding fabric“ raw

$D1 = D - 18 \text{ mm}$

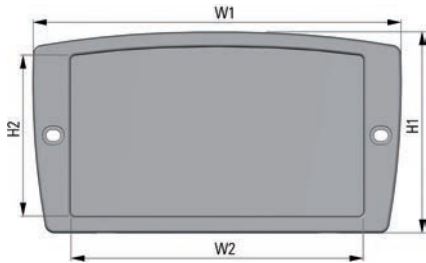
Dimensions

H1 in mm	W1 in mm
65	115
65	175
85	275

//02 SMALL EQUIPMENT CASES

SmarTEC

// Single components



Front/rear bezel closed – SmarTEC

As front and rear cover for one-piece or two-piece extrusions

Note

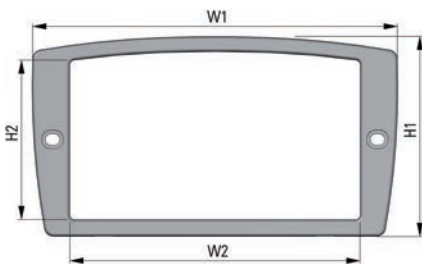
– Can only be used in conjunction with IP molded gasket

Material

Die-cast aluminum, powder-coated "anthracite metallic"

Dimensions

H1 in mm	W1 in mm	H2 in mm	W2 in mm
45	85	31.0	62
45	115	31.0	92
65	115	50.5	92
65	175	50.5	152
85	175	67.7	152
85	275	67.7	252



Front/rear bezel open – SmarTEC

As front and rear cover for one-piece or two-piece extrusions

Note

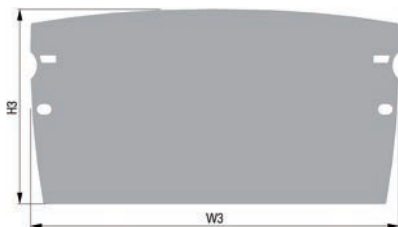
– For use with separate front/rear panel

Material

Die-cast aluminum, powder-coated "anthracite metallic"

Dimensions

H1 in mm	W1 in mm	H2 in mm	W2 in mm
45	85	31.0	62
45	115	31.0	92
65	115	50.5	92
65	175	50.5	152
85	175	67.7	152
85	275	67.7	252



Front/rear panels – SmarTEC

As full front and rear cover when open bezel is used

Note

– In conjunction with "front/rear bezel, open"

Material

Aluminum 2.5 mm, front anodized/rear alodined

Dimensions

H1 in mm	W1 in mm	H3 in mm	W3 in mm
45	85	38.1	79.4
45	115	38.1	111.0
65	115	58.6	111.0
65	175	58.6	170.4
85	175	82.1	170.4
85	275	82.1	272.4