

#01

POLYRACKTECH-GROUP

EmbedTEC

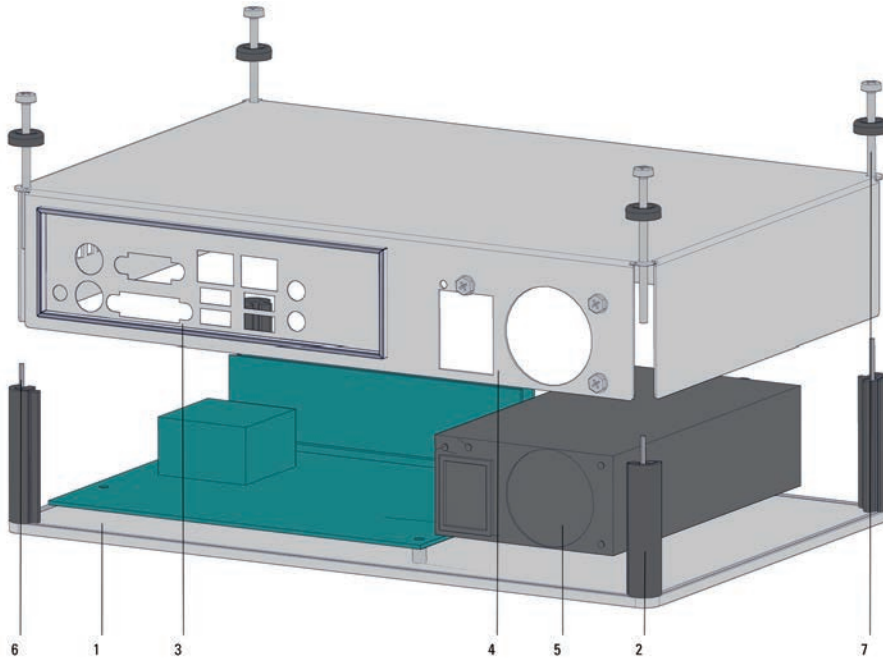
// Product information



//02 SMALL EQUIPMENT CASES

EmbedTEC

// Product information



Configuration example

The diagram shows the configuration of an EmbedTEC series small equipment case.

- 1 Base plate*
- 2 Corner bracket
- 3 Hood
- 4 ATX-I/O shield*
- 5 Power supply*
- 6 EMC/IP gasket
- 7 Assembly hardware

Parts marked with * are not included in the scope of delivery of the basic unit, i. e. must be ordered separately.

Surface finishing

- Corner parts anodized / contact surface raw
- Hood high-grade steel, brushed
- Base plate aluminum, anthracite metallic

// Notes on units of measurement and mounting/overall dimensions

Dimensions specified in ordering tables

The dimensions are specified in relation to the application.

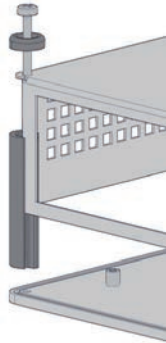
//02 SMALL EQUIPMENT CASES

EmbedTEC

// Basic Units

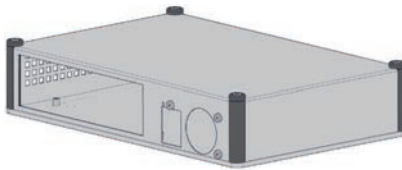
Basic Units

EmbedTEC series basic units are available as "Desktop PC" version.



Features of the basic units

EmbedTEC case, standard



EmbedTEC case, standard

Scope of delivery

Hood
Corner parts
Assembly kit

Note

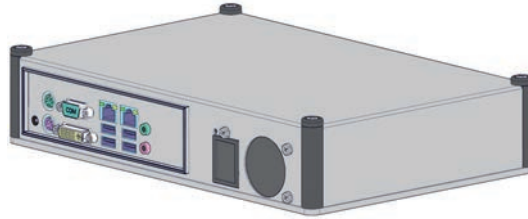
- 1 pc – Diagram shows EmbedTEC "Desktop PC" case with base plate. This is not supplied as standard.
- 1 pc – The base plate must be ordered separately.
- 1 pc – EMC and IP gasketing material must be ordered separately.

Dimensions

H1 in mm	W1 in mm	D in mm
63.2	296.6	196.6

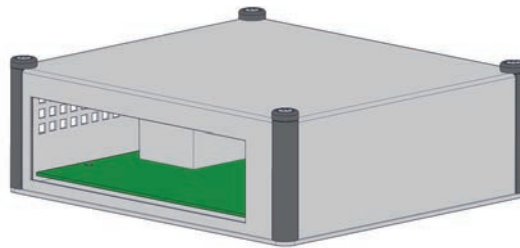
//02 SMALL EQUIPMENT CASES EmbedTEC

// Product information



Application examples

Desktop-PC (ITX)



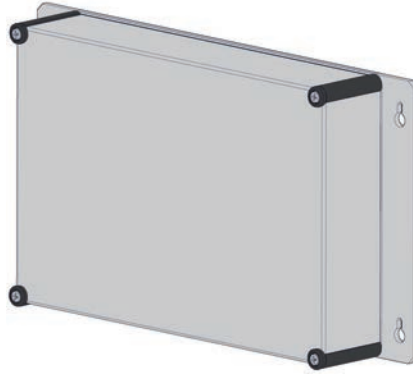
ITX case, without power supply



Desktop case with fanless cooling concept

//02 SMALL EQUIPMENT CASES EmbedTEC

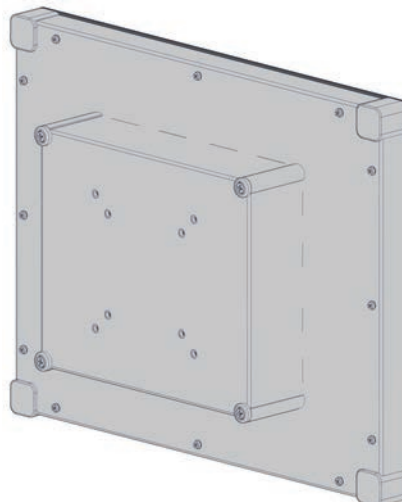
// Product information



Chassis plate for wall mounting



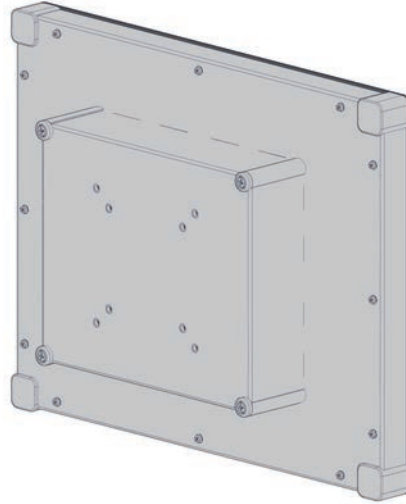
Box PC, with fanless cooling concept



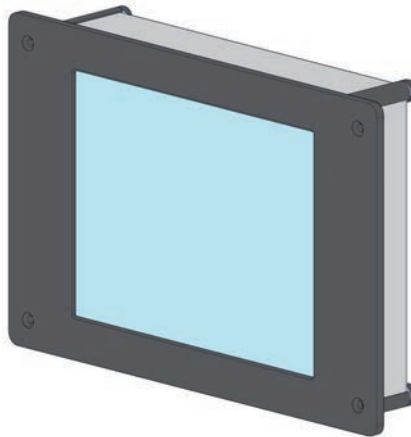
Shallow hood, ARM

//02 SMALL EQUIPMENT CASES EmbedTEC

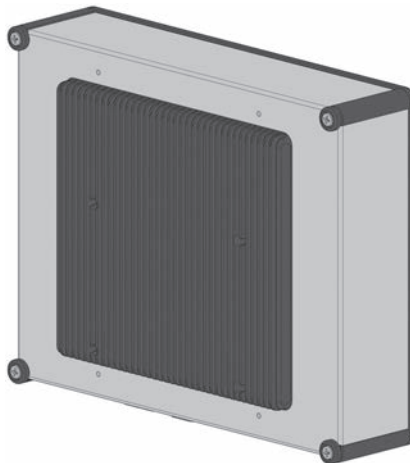
// Product information



Deep hood, ITX



PanelPC with special-design front panel (base plate)



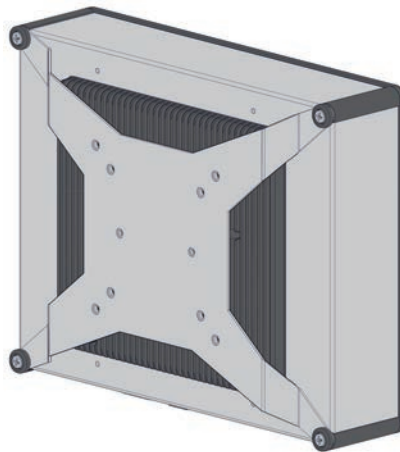
PanelPC

//02 SMALL EQUIPMENT CASES EmbedTEC

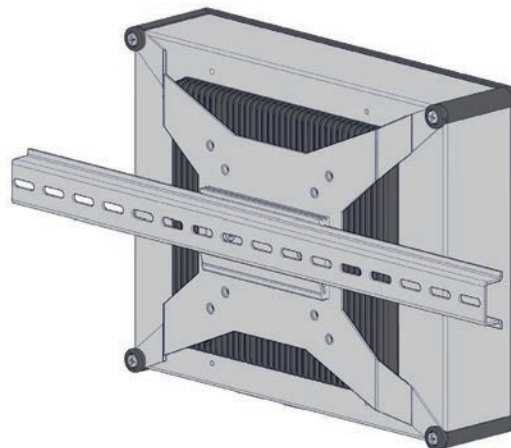
// Product information



VESA2 case - mounting holes



VESA2 case - mounting holes and integrated fanless cooling concept

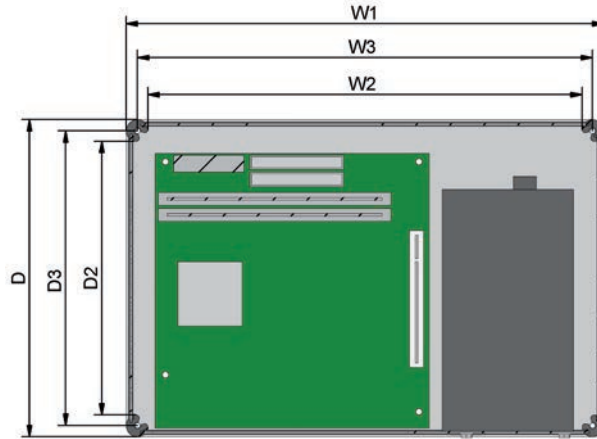


VESA2 case - mounting holes and integrated fanless cooling concept, for rail mounting

//02 SMALL EQUIPMENT CASES

EmbedTEC

// Product information

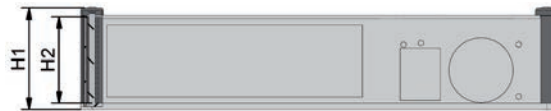


Dimension diagrams

Top view

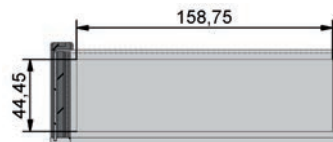
D = Case depth
 D2 = D - 26.9 mm
 D3 = D - 14 mm

W1 = Case width
 W2 = W1 - 26.9 mm
 W3 = W1 - 14 mm = inner mounting dimension
 = distance between front and rear panel mounting

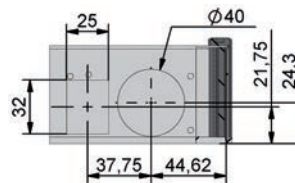


Rear view

H1 = total height, without feet
 H2 = H1 - 10 mm = inner mounting dimension



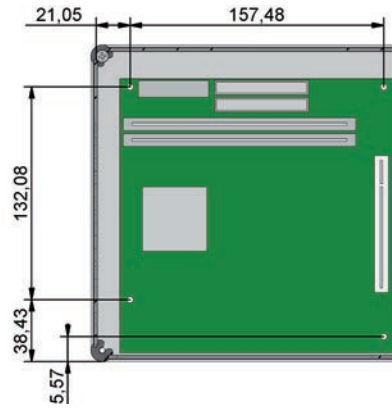
Detailed view of ATX-I/O shield



Detailed view of power supply cut-out / mounting holes

//02 SMALL EQUIPMENT CASES EmbedTEC

// Product information



Detailed view of board mounting

// Manufacturing tolerances

All parts are subject to POLYRACK's factory specifications, whereby:

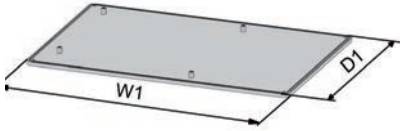
Extrusion specifications comply with
DIN EN 12020-1

Punched parts comply with
DIN ISO 6930-1/6930-2 and DIN 6932

//02 SMALL EQUIPMENT CASES

EmbedTEC

// Single components



Base plate

Base plate with mounting holes to accommodate ITX-standard mother boards

Scope of delivery

Base plate

1 pc

Material

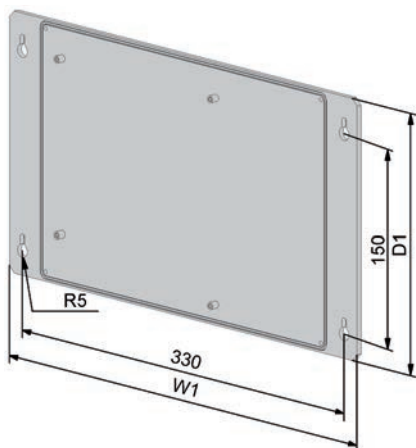
Aluminum, powder-coated in anthracite metallic

Delivery form

In units for self-assembly

Dimensions

W1 in mm	D1 in mm
296.6	196.6



Base plate, wall mounting

Base plate with mounting holes

Delivery form

In units for self-assembly

Material

Aluminum, powder-coated in anthracite metallic

Note

Keyholes for mounting with M4

Scope of delivery

Base plate

1 pc

Dimensions

W1 in mm	D1 in mm
196.6	356.6